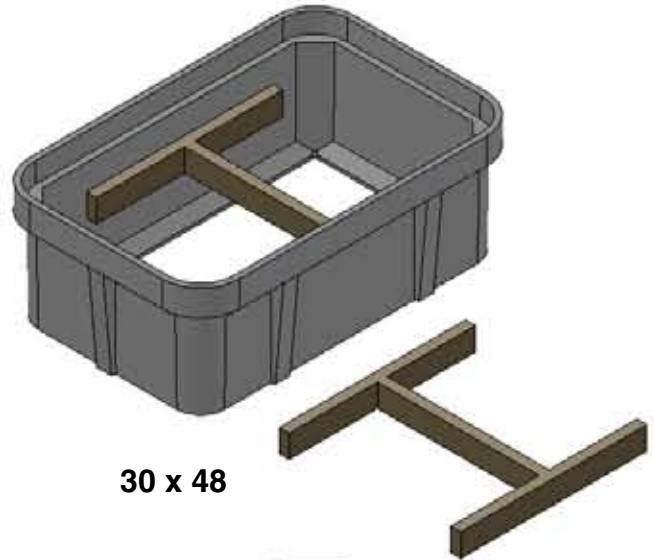


Internal Bracing Installation

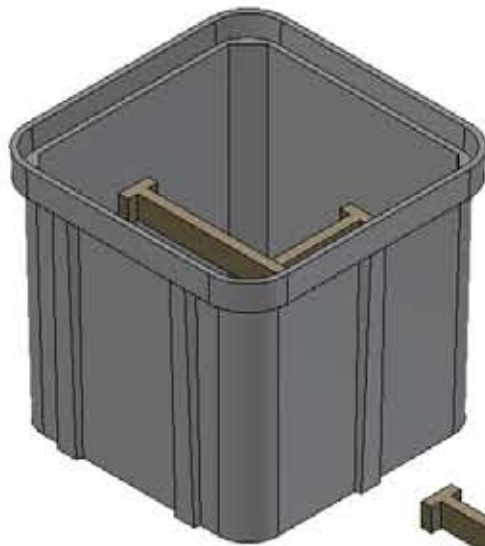
Installation Guidelines for Internal Bracing:

Internal bracing may be warranted for any manufacturer's underground enclosure. If 95% compaction is required or if heavy vehicles are going to be present during construction and/or throughout the life of the enclosure, internal bracing during back-filling operations will ensure minimal box sidewall deflections. This installation practice applies to enclosures made from any material to maintain the original sidewall geometry.

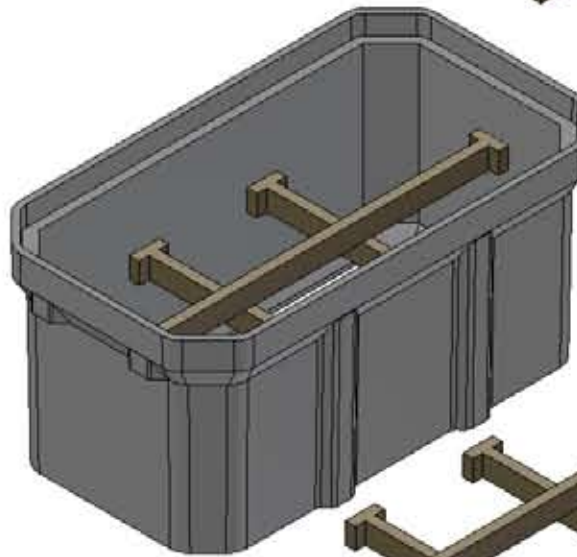
Supports should be 2 x 4s or similar material sized to hold at mid-depth.



30 x 48



36 x 36
48 x 48



30 x 60
36 x 60
36 x 72
48 x 72
48 x 96

