

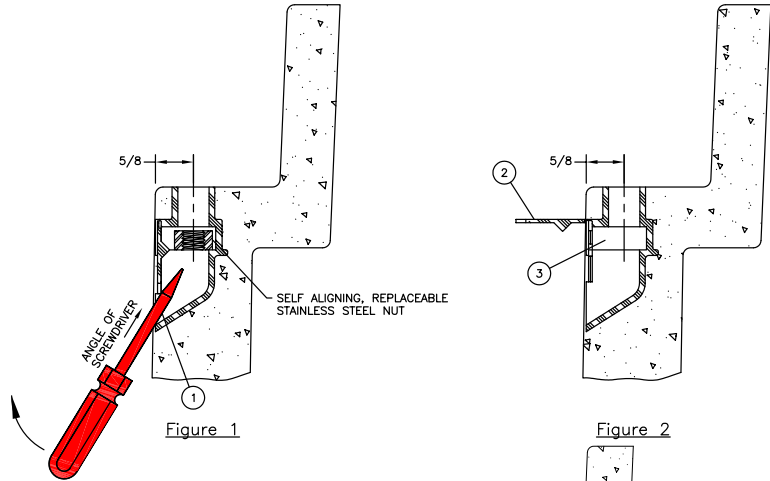
EZ-Nut and Self-Aligning Nut Cleaning & Replacement Instructions

Quazite has redesigned the EZ-Nut assembly (Style "B") to provide a 40% greater drainage opening area and enable quicker and easier nut replacement. This Style "B" design will be included in new production, but existing inventories may have the older Style "A" EZ-Nut assembly. These instructions are provided in the event it is necessary to replace an existing nut.

*To determine which EZ-Nut design is in any box, insert a screwdriver into the drainage opening and pull upward. If the door does not pop open, the Style "A" EZ-Nut is in the box. Follow the instructions for the Style "A" design. If the door pops open, follow the instructions for the Style "B" EZ-Nut design.

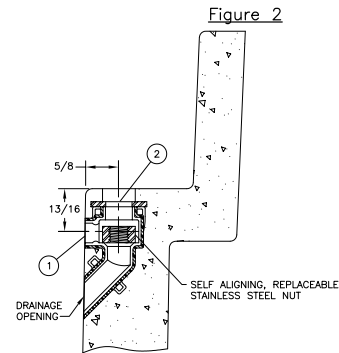
Style "B" EZ-Nut replacement procedure*

1. Locate the drainage opening in the area containing the insert. Insert a screwdriver into the opening at approximately the angle shown in Figure 1.
2. After inserting the screwdriver into the drainage opening, pull upward on the handle of the screwdriver in order to pry open the door of the insert as shown in Figure 2.
3. If necessary, remove any remaining debris from the opening. After the opening is clear, remove existing nut and replace with a nut of the required size.



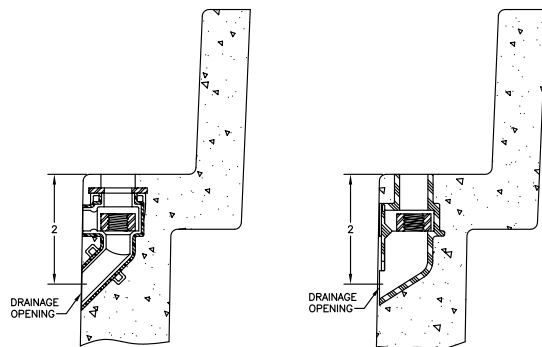
Style "A" EZ-Nut replacement procedure*

1. Measure 13/16" down from bearing ledge of the enclosure. Using a screwdriver and hammer, punch a hole into the cavity of the insert. Clear excess material out of the opening.
2. Insert a screwdriver into the top opening and push the 3/18-16 UNC square nut out of the opening just created. Replace with a new 3/8-16 UNC square nut and plug the cavity in the sidewall if necessary.



EZ-Nut Cleanout Procedure

1. Make certain drain hole is clear. If it is not, scrape off material with a flat edge and remove any visible obstruction(s). The drain hole is located approximately 2" below the bearing ledge.
2. Insert flat head screw driver into insert. Scrape dirt off of threads and clean out any excess dirt.
3. (Optional) Spray WD-40® or equivalent lubricant into insert to lubricate the threads and help loosen any remaining debris.
4. Replace cover and secure bolts into insert.



Self-Aligning Nut Replacement:

1. Remove screws using a phillips screwdriver. Then remove the retainer clip.
2. Remove 1/2-13 UNC square nut and replace it with a new 1/2-13 UNC square nut.
3. Replace the retainer clip and screws.

