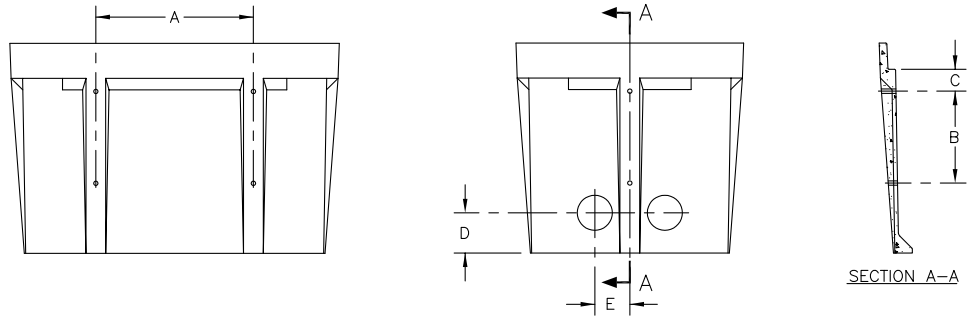


SPECIFICATIONS/DATA Standard Cable Rack Insert, Terminator, Knockout & Hole Locations



Mouseholes (not illustrated) - The standard location for mouseholes is in the center of the end walls of the enclosure.

BOXES

PART NO.	DIMENSIONS				
	A	B	C	D	E
PG2424BA24	12" (305 mm)	10 1/2" (267mm)	4" (102 mm)	5 1/2" (140mm)	4" (102mm)
PG2436BA18	18" (457mm)	9" (229mm)	2 1/2" (64 mm)	5 1/2" (140mm)	4" (102mm)
PG2436BA24	18" (457mm)	13 1/2" (343mm)	2 1/2" (64 mm)	5 1/2" (140mm)	4" (102mm)
PG2436BA30	18" (457mm)	13 1/2" (343mm)	2 1/2" (64 mm)	5 1/2" (140mm)	4" (102mm)
PG2436BA42	18" (457mm)	13 1/2" (343mm)	2 1/2" (64 mm)	5 1/2" (140mm)	4" (102mm)
PD3048BA24	22" (559mm)	10 1/2" (267mm)	6" (152 mm)	5 1/2" (140mm)	5 1/2" (140mm)
PD3048BA48	22" (559mm)	13 1/2" (343 mm)	6" (152 mm)	5 1/2" (140mm)	5 1/2" (140mm)
PG3048BA18	22" (559mm)	9" (229mm)	2 1/2" (64 mm)	5 1/2" (140mm)	5 1/2" (140mm)
PG3048BA24	22" (559mm)	10 1/2" (267mm)	2 1/2" (64 mm)	5 1/2" (140mm)	5 1/2" (140mm)
PG3048BA36	22" (559mm)	13 1/2" (343mm)	2 1/2" (64 mm)	5 1/2" (140mm)	5 1/2" (140mm)
PG3060BA21	20 3/4" (527mm)	10 1/2" (267mm)	2 1/2" (64 mm)	5 1/2" (140mm)	7" (178mm)
PG3060BA30	24" (610mm)	10 1/2" (267mm)	2 1/2" (64 mm)	5 1/2" (140mm)	7" (178mm)
PG3060BA36	20 3/4" (527mm)	10 1/2" (267mm)	2 1/2" (64 mm)	5 1/2" (140mm)	7" (178mm)
PG3636BA36	18" (457mm)	13 1/2" (343mm)	2 1/2" (64 mm)	5 1/2" (140mm)	7" (178mm)
PG3660BA19	22" (559mm)	10 1/2" (267mm)	4" (102 mm)	5 1/2" (140mm)	9" (229mm)
PG3660BA24	22" (559mm)	10 1/2" (267mm)	4" (102 mm)	5 1/2" (140mm)	9" (229mm)
PG3660BA31	22" (559mm)	10 1/2" (267mm)	4" (102 mm)	5 1/2" (140mm)	9" (229mm)
PG3660BA36	22" (559mm)	10 1/2" (267mm)	4" (102 mm)	5 1/2" (140mm)	9" (229mm)
PG3672BA21	20" (508mm)	10 1/2" (267mm)	3" (76 mm)	5 1/2" (140mm)	9" (229mm)
PG3672BA36	20" (508mm)	10 1/2" (267mm)	3" (76 mm)	5 1/2" (140mm)	9" (229mm)
PG4848BA36	22" (559mm)	10 1/2" (267mm)	5 1/2" (140 mm)	7" (178mm)	5 1/2" (140mm)
PG4848BA48	22" (559mm)	10 1/2" (267mm)	5 1/2" (140 mm)	7" (178mm)	5 1/2" (140mm)
PG4872BA36	46" (1168mm)	13 1/2" (343mm)	5 1/2" (140 mm)	7" (178mm)	5 1/2" (140mm)
PG4872BA48	46" (1168mm)	13 1/2" (343mm)	5 1/2" (140 mm)	7" (178mm)	5 1/2" (140mm)
PG4896BA48	24 3/16" (614mm)	13 1/2" (343mm)	5 1/2" (140 mm)	7" (178mm)	5 1/2" (140mm)

NOTE - Holes should be located only in the walls of an enclosure. Do not cut holes in ribs or corners. Hole locations are ± 1" (25mm). Dimensions & weights in parentheses are metric equivalent.

HOLE SIZING FOR NON-METALLIC CONDUIT / DUCT

NOMINAL SIZE	1/2"	3/4"	1"	1 1/4"	1 1/2"	2"	3"	4" (elec.)	4" (tele.)	5"	6"
CONDUIT O.D.	.840	1.050	1.315	1.660	1.900	2.375	3.500	4.500	4.350	5.563	6.625
HOLE SIZE	1"	1 1/4"	1 3/8"	1 3/4"	2"	2 1/2"	3 3/4"	4 3/4"	4 3/4"	5 3/4"	6 3/4"

Quazite recommends that holes be punched 1/8" to 1/4" larger than the actual outside diameter of the conduit duct. If more precise holes are required, contact your local QUAZITE® representative.

