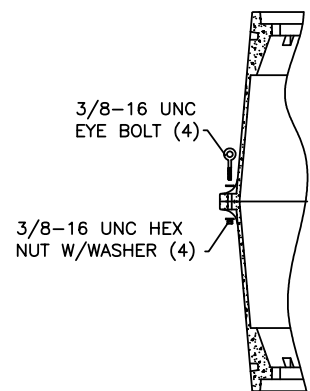
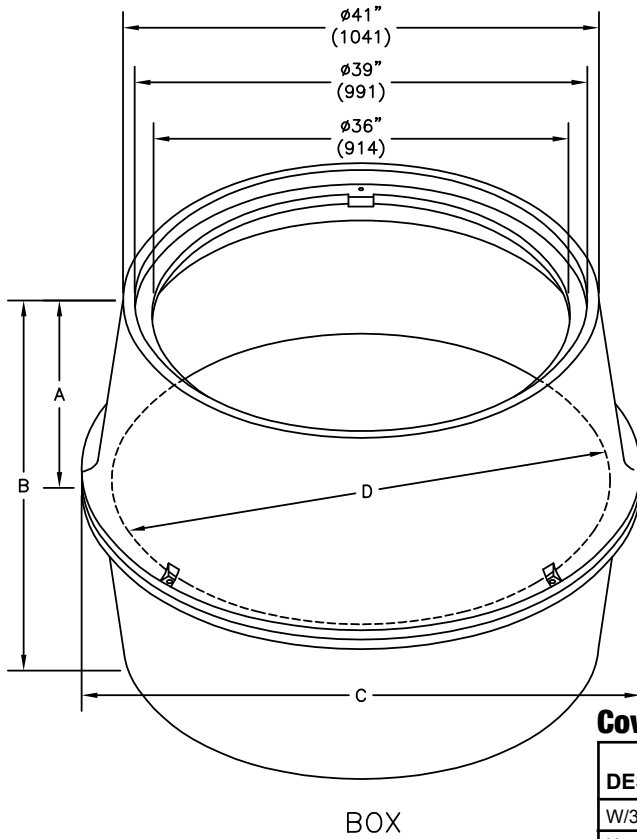
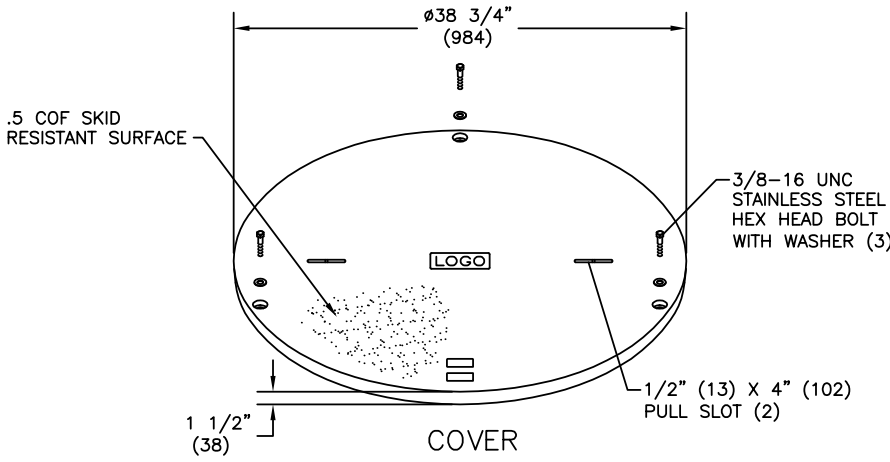


# SPECIFICATIONS/DATA

## 39" Round Style (Nestable) Assembly



LIKE BOXES CAN BE INVERTED, STACKED, AND BOLTED TOGETHER TO INCREASE THE DEPTH

### Covers (Blank unless logo is specified)

DESCRIPTION	PART NO.	WEIGHT #	DESIGN/TEST LOAD #	ANSI TIER*
W/3 Bolts	PR3900CA00	141 (64.0 kg)	8,000 / 12,000	8
Heavy Duty w/ 3 Bolts	PR3900HA00	180 (81.6 kg)	15,000 / 22,500	15
Heavy Duty w/ 3 Bolts	PR3900HH00	180 (81.6 kg)	22,500 / 33,750	22

### Boxes (Nestable)

DESCRIPTION	PART NO.	WEIGHT #	DIMENSION A	DIMENSION B	DIMENSION C	DIMENSION D	DESIGN/TEST LOAD #	ANSI TIER*
Open Bottom	PR3943BA18	244 (111.0 kg)	18" (457 mm)	-	48 1/8" (1222 mm)	43 1/8" (1095 mm)	22,500 / 33,750	22
	PR3944BA24	326 (147.9 kg)	24" (610 mm)	-	49 3/16" (1249 mm)	44 3/16" (1122 mm)	22,500 / 33,750	22
Open Bottom	PR3943BA36	488 (221.0 kg)	-	36" (914 mm)	48 1/8" (1222 mm)	43 1/8" (1095 mm)	22,500 / 33,750	22

Dimensions & weights in parentheses are metric equivalent.  
\* Loadings comply with ANSI/SCTE 77 (see page 9).

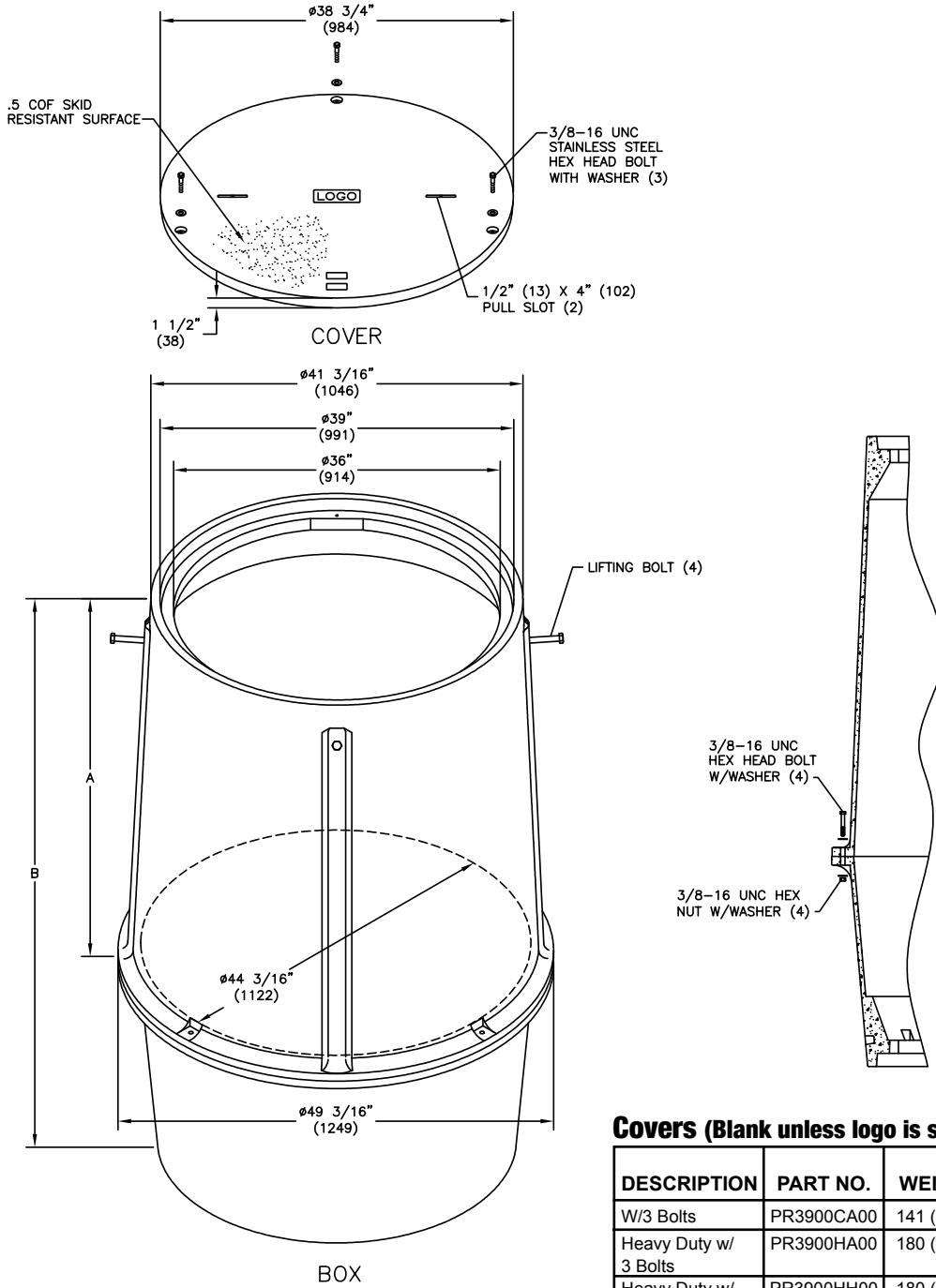


ENCLOSURE DRAWINGS

## SPECIFICATIONS/DATA

## 39" Round Style Assembly

ENCLOSURE DRAWINGS



**Covers (Blank unless logo is specified)**

DESCRIPTION	PART NO.	WEIGHT #	DESIGN/ TEST LOAD #	ANSI TIER*
W/3 Bolts	PR3900CA00	141 (64.0 kg)	8,000 / 12,000	8
Heavy Duty w/ 3 Bolts	PR3900HA00	180 (81.6 kg)	15,000 / 22,500	15
Heavy Duty w/ 3 Bolts	PR3900HH00	180 (81.6 kg)	22,500 / 33,750	22

### Boxes

DESCRIPTION	PART NO.	WEIGHT #	DIMENSION A	DIMENSION B	DESIGN/TEST LOAD #	ANSI TIER*
Open Bottom	PR3944BA48	377 (171.0 kg)	48" (1219 mm)	-	22,500 / 33,750	22
Open Bottom	PR3944BA72	707 (321 kg)	-	72 (1829 mm)	22,500 / 33,750	22

Dimensions & weights in parentheses are metric equivalent.

\* Loadings comply with ANSI/SCTE 77 (see page 9).

APRIL 2008