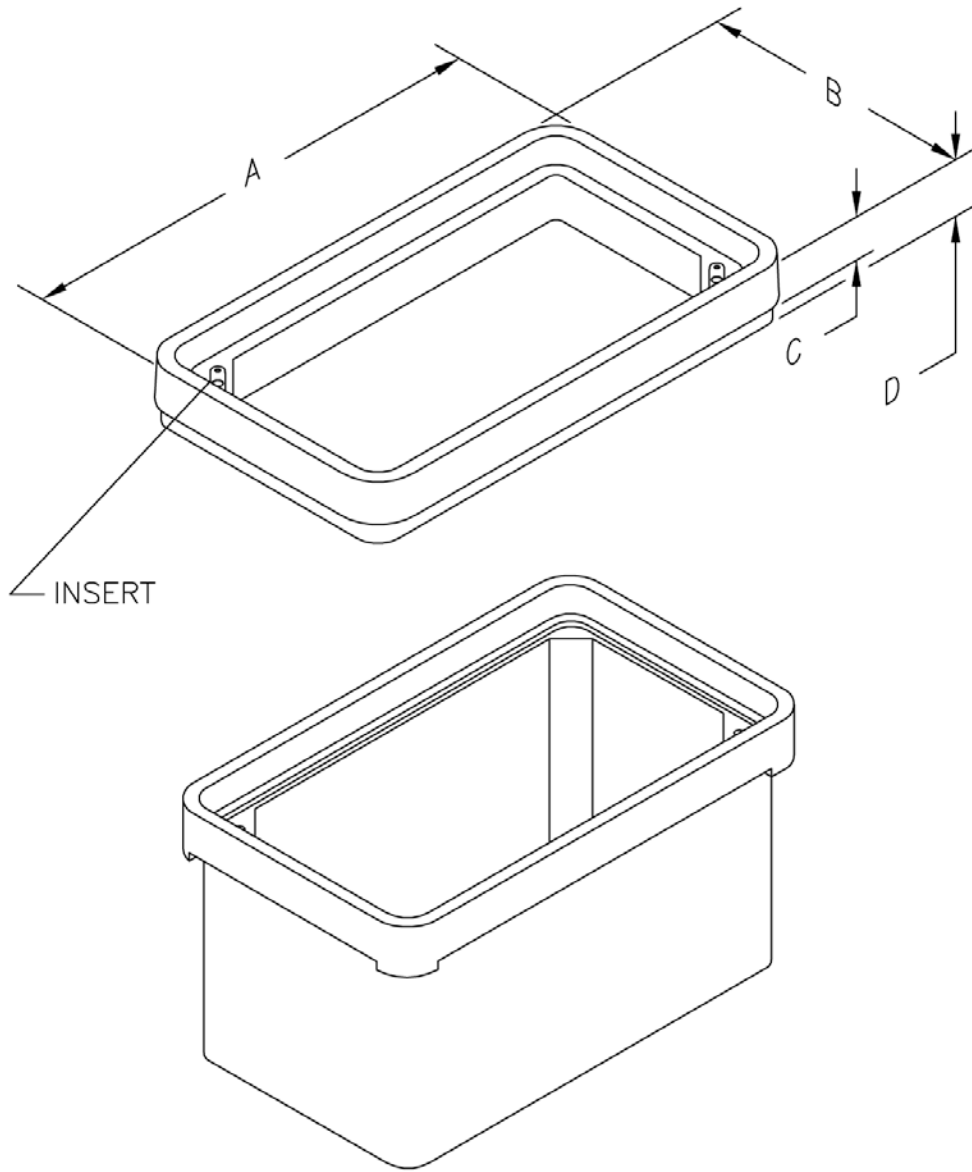


## SPECIFICATIONS/DATA

## Grade Adjustable Extensions



ENCLOSURE DRAWINGS

### Grade Adjustable Extensions

PART NO.	WEIGHT #	DIMENSION A	DIMENSION B	DIMENSION C	DIMENSION D	INSERT SIZE	DESIGN/TEST LOAD #	ANSI TIER*
PG1324ED03	37 (16.8 kg)	25 1/2" (648 mm)	16" (406 mm)	3" (76 mm)	5 1/8" (130 mm)	1/2"	22,500 / 33,750	22
PG1324E502	37 (16.8 kg)	25 1/2" (648 mm)	16" (406 mm)	3" (76 mm)	5 1/8" (130 mm)	3/8"	22,500 / 33,750	22
PG1730ED03	48 (21.8 kg)	32 3/4" (832 mm)	19 3/4" (502 mm)	3" (76 mm)	5 1/8" (130 mm)	1/2"	22,500 / 33,750	22
PG1730E505	48 (21.8 kg)	32 3/4" (832 mm)	19 3/4" (502 mm)	3" (76 mm)	5 1/8" (130 mm)	3/8"	22,500 / 33,750	22
PG2436ED04	80 (36.3 kg)	37 7/8" (962 mm)	26 1/4" (667 mm)	4" (102 mm)	7 1/8" (181 mm)	1/2"	22,500 / 33,750	22
PG2436E503	80 (36.3 kg)	37 7/8" (962 mm)	26 1/4" (667 mm)	4" (102 mm)	7 1/8" (181 mm)	3/8"	22,500 / 33,750	22
PG3660ED03	110 (49.9 kg)	65 1/2" (1664 mm)	41 3/4" (1060 mm)	2 1/2" (64 mm)	4" (102 mm)	1/2"	22,500 / 33,750	22

Dimensions & weights in parentheses are metric equivalent.

\* Loadings comply with ANSI/SCTE 77 (see page 9).