

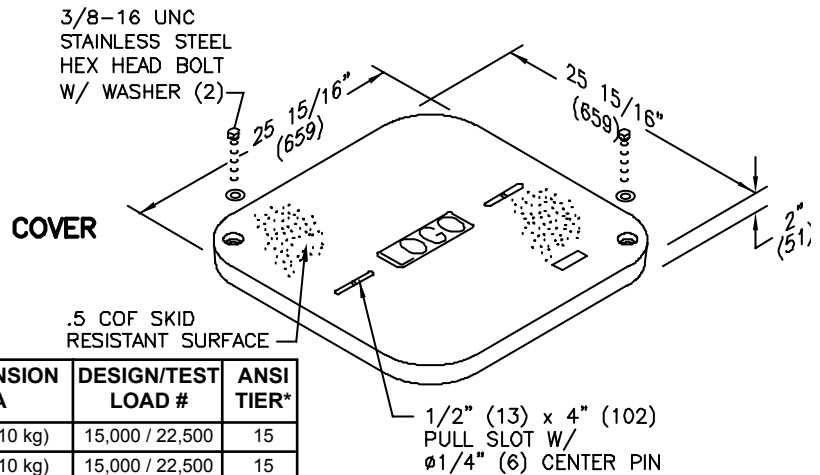
SPECIFICATIONS/DATA

24" x 24" PG Style (Stackable) Assembly

Covers (Blank unless logo is specified)

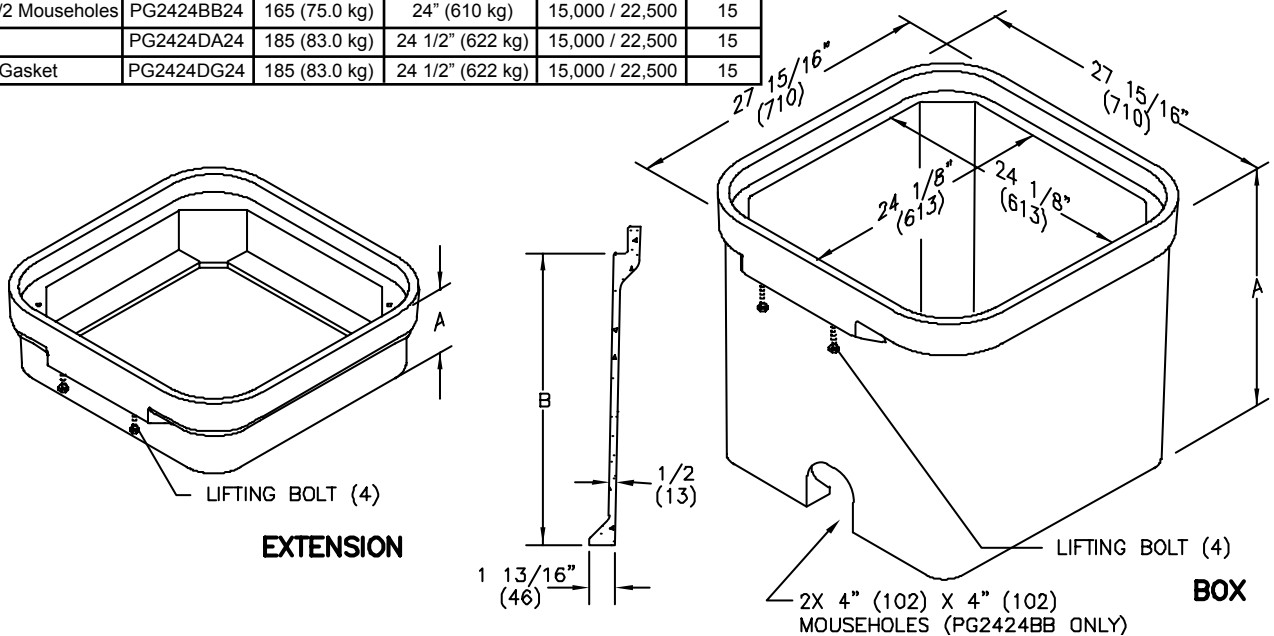
DESCRIPTION	PART NO.	WEIGHT #	DESIGN/TEST LOAD #	ANSI TIER*
W/2 Bolts	PG2424CA00	70 (32.0 kg)	8,000 / 12,000	8
Gasketed w/2 Bolts	PG2424CG00	70 (32.0 kg)	8,000 / 12,000	8
No Bolts	PG2424WA00	70 (32.0 kg)	8,000 / 12,000	8
Heavy Duty w/2 Bolts	PG2424HA00	100 (45.4 kg)	15,000 / 22,500	15
Gasketed Heavy Duty w/2 Bolts	PG2424HG00	100 (45.4 kg)	15,000 / 22,500	15

- Covers with meter lids available upon request. See page 12 or page 56 for meter lid cover load rating explanation.
- Gasketed covers and bolt grommets must be used with a gasketed box. Gaskets reduce the inflow of fluids but do not make the enclosure water tight.



Boxes (Stackable with self-aligning, replaceable EZ Nut)

DESCRIPTION	PART NO.	WEIGHT #	DIMENSION A	DESIGN/TEST LOAD #	ANSI TIER*
Open Bottom	PG2424BA24	165 (75.0 kg)	24" (610 kg)	15,000 / 22,500	15
Open Bottom w/Gasket	PG2424BG24	165 (75.0 kg)	24" (610 kg)	15,000 / 22,500	15
Open Bottom w/2 Mouseholes	PG2424BB24	165 (75.0 kg)	24" (610 kg)	15,000 / 22,500	15
Solid Bottom	PG2424DA24	185 (83.0 kg)	24 1/2" (622 kg)	15,000 / 22,500	15
Solid Bottom w/Gasket	PG2424DG24	185 (83.0 kg)	24 1/2" (622 kg)	15,000 / 22,500	15



Extensions (Stackable - can be used as a top or bottom extension)

DESCRIPTION	PART NO.	WEIGHT #	DIMENSION A	DESIGN/TEST LOAD #	ANSI TIER*
Open Bottom	PG2424EA06	71 (32.0 kg)	8" (203 mm)	15,000 / 22,500	15
	PG2424EA12	112 (51.0 kg)	14" (356 mm)	15,000 / 22,500	15
Solid Bottom	PG2424RA06	96 (44.0 kg)	8 1/2" (216 mm)	15,000 / 22,500	15
	PG2424RA12	130 (59.0 kg)	14 1/2" (368 mm)	15,000 / 22,500	15

Dimensions & weights in parentheses are metric equivalent.

* Loadings comply with ANSI/SCTE 77 (see page 9).