

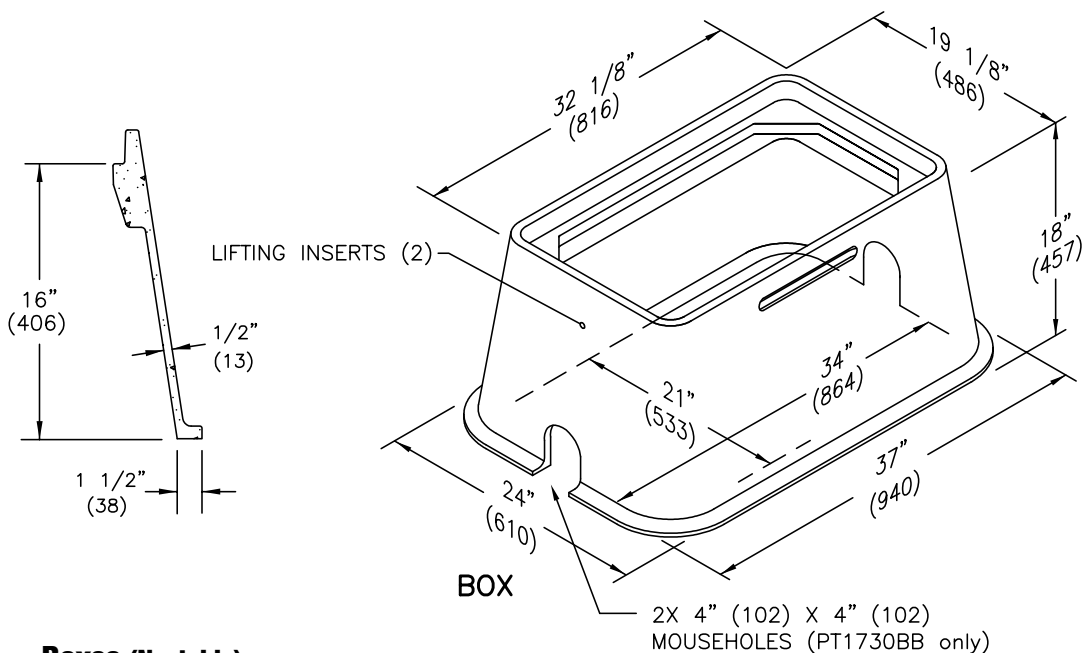
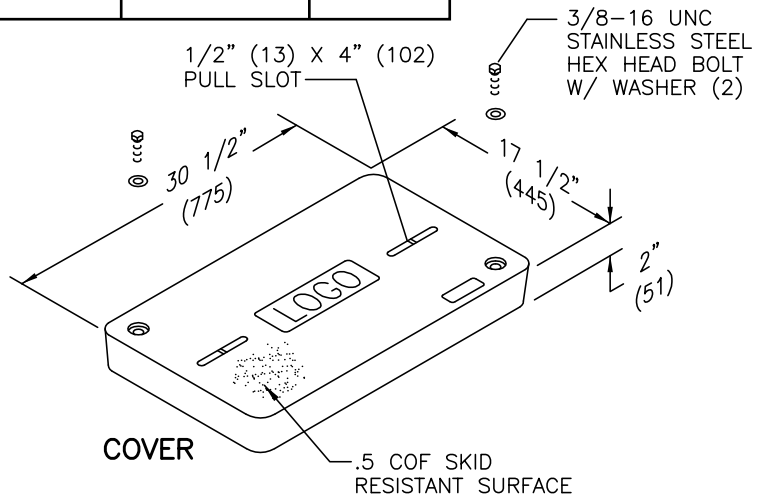
# SPECIFICATIONS/DATA

## 17" x 30" PT Style (Nestable) Assembly

### Covers (Blank unless logo is specified)

DESCRIPTION	PART NO.	WEIGHT #	DESIGN/TEST LOAD #	ANSI TIER*
Ⓛ W/2 Bolts	PT1730CA00	52 (23.6 kg)	8,000 / 12,000	8
Ⓛ Gasketed w/2 Bolts	PT1730CG00	52 (23.6 kg)	8,000 / 12,000	8
Ⓛ No Bolts	PT1730WA00	52 (23.6 kg)	8,000 / 12,000	8
Ⓛ Heavy Duty w/2 Bolts	PT1730HA00	83 (37.6 kg)	15,000 / 22,500	15
Ⓛ Gasketed Heavy Duty w/2 Bolts	PT1730HG00	83 (37.6 kg)	15,000 / 22,500	15

- Covers with meter lids available upon request. See page 12 or page 56 for meter lid cover load rating explanation.
- PT covers are PG covers with shorter bolts
- Gasketed covers and bolt grommets must be used with a gasketed box. Gaskets reduce the inflow of fluids but do not make the enclosure water tight.



### Boxes (Nestable)

DESCRIPTION	PART NO.	WEIGHT #	DESIGN/TEST LOAD #	ANSI TIER*
Ⓛ Open Bottom	PT1730BA18	126 (57.2 kg)	15,000 / 22,500	15
Ⓛ Open Bottom w/Gasket	PT1730BG18	126 (57.2 kg)	15,000 / 22,500	15
Ⓛ Open Bottom w/2 Mouseholes	PT1730BB18	125 (56.7 kg)	15,000 / 22,500	15

Dimensions & weights in parentheses are metric equivalent.  
 \* Loadings comply with ANSI/SCTE 77 (see page 9).