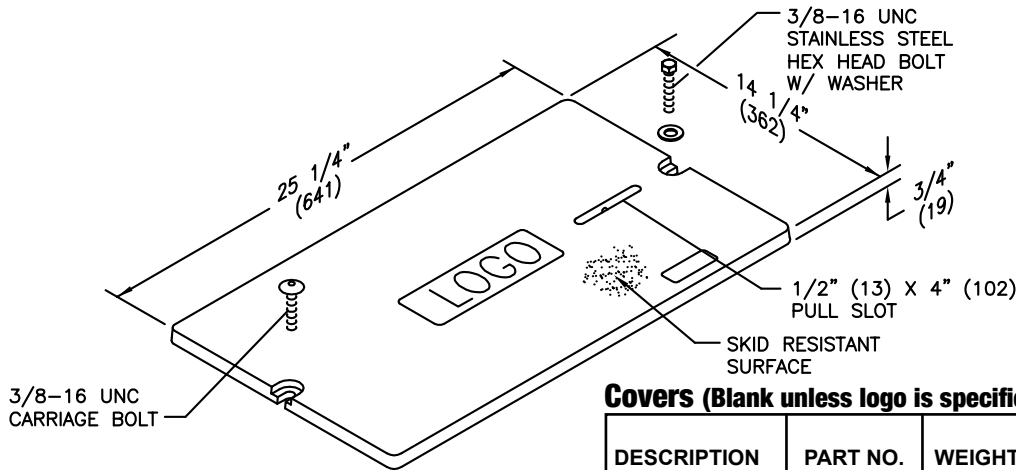


## SPECIFICATIONS/DATA

## 13" x 24" PC Style (Stackable) Assembly

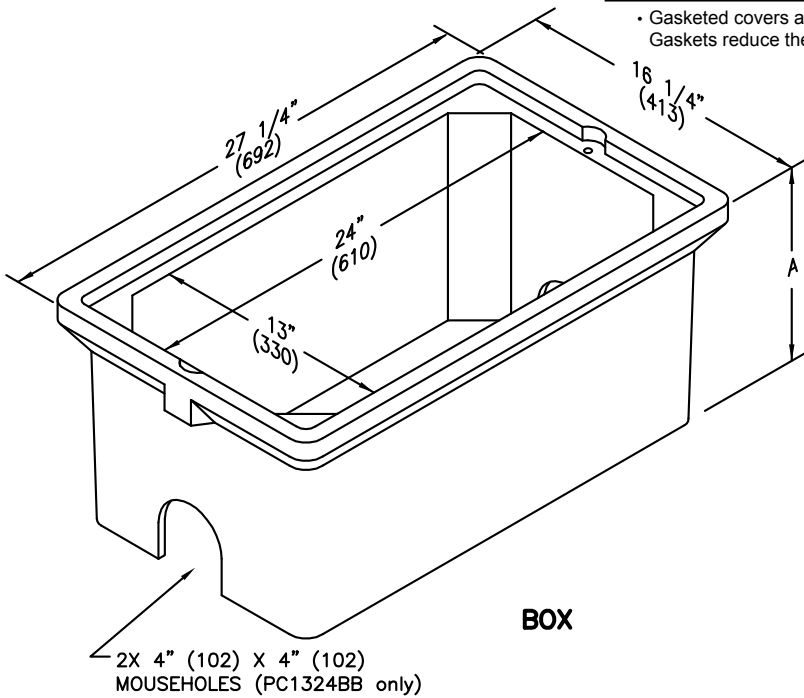


**COVER**

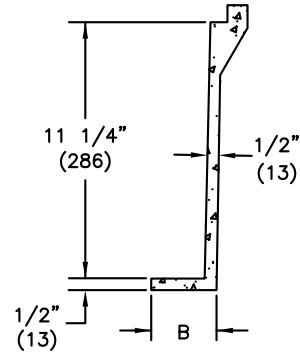
### Covers (Blank unless logo is specified)

	DESCRIPTION	PART NO.	WEIGHT #	DESIGN/TEST LOAD #	ANSI TIER*
Ⓛ	W/2 Bolts	PC1324CA00	23 (10.4 kg)	5,000 / 7,500	5
Ⓛ	Gasketed w/2 Bolts	PC1324CG00	23 (10.4 kg)	5,000 / 7,500	5
Ⓛ	No Bolts	PC1324WA00	23 (10.4 kg)	5,000 / 7,500	5

\* Gasketed covers and bolt grommets must be used with a gasketed box. Gaskets reduce the inflow of fluids but do not make the enclosure water tight.



**BOX**



2X 4" (102) X 4" (102)  
MOUSEHOLES (PC1324BB only)

### Boxes (Stackable with self-aligning, replaceable EZ-Nut)

	DESCRIPTION	PART NO.	WEIGHT #	DIMENSION A	DIMENSION B	DESIGN/TEST LOAD #	ANSI TIER*
Ⓛ	Open Bottom	PC1324BA12	50 (22.7 kg)	12" (305 mm)	N/A	5,000 / 7,500	5
Ⓛ	Open Bottom w/Gasket	PC1324BG12	50 (22.7 kg)	12" (305 mm)	N/A	5,000 / 7,500	5
Ⓛ	Open Bottom w/2 Mouseholes	PC1324BB12	50 (22.7 kg)	12" (305 mm)	N/A	5,000 / 7,500	5
Ⓛ	Solid Bottom	PC1324DA12	60 (27.2 kg)	12 1/2" (318 mm)	N/A	5,000 / 7,500	5
Ⓛ	Solid Bottom w/Gasket	PC1324DG12	60 (27.2 kg)	12 1/2" (318 mm)	N/A	5,000 / 7,500	5
Ⓛ	Footed Box	PC1324JA12	57 (25.9 kg)	12 1/2" (318 mm)	2 7/8" (73 mm)	5,000 / 7,500	5

Dimensions & weights in parentheses are metric equivalent.

\* Loadings comply with ANSI/SCTE 77 (see page 9).

ENCLOSURE DRAWINGS